

Classic Jug Kettle
 Instruction Manual

Since 1945
Dualit

IMPORTANT SAFETY PRECAUTIONS

When using electrical appliances, basic safety precautions should always be followed, including the following:

READ ALL INSTRUCTIONS

- Do not let cord hang over edge of table or counter, or touch hot surfaces.
- Do not use appliance for other than intended use.
- The heating element surface is subject to residual heat after use.

BEFORE USING THE KETTLE KEEP THESE INSTRUCTIONS FOR FUTURE REFERENCE

• THIS IS AN ATTENDED APPLIANCE

Do not leave appliance unattended during use, unplug after each use (risk of fire if an unattended appliance is left operating or plugged in).

- This appliance must not be used by children younger than 8 years old and persons with very extensive and complex disabilities. Children aged 8-14 years and persons with reduced physical, sensory or mental capabilities or lack of experience and knowledge shall not use this appliance, unless they are supervised and have been given instruction concerning the use of the appliance in a safe way and understand the hazards involved. Children shall not play with the appliance. Cleaning and user maintenance shall not be made by children unless they are older than 8 and supervised. Keep the appliance and its cord out of reach of children less than 8 years old.
- This appliance is intended for household use only. If the appliance is used improperly or for professional or semi-professional purposes or if it is not used according to these instructions the Guarantee becomes invalid and Dualit refuses any liability for damage caused.

Electrical safety

- Before plugging in, check that the voltage on the rating label is the same as the mains supply.
- A short power-supply cord is to be provided to reduce risks resulting from becoming entangled in or tripping over a longer cord. Longer extension cords are available and may be used if care is exercised in their use. If a long extension cord is used:
 - 1) The marked electrical rating of the detachable power-supply cord or extension cord should be at least as great as the electrical rating of the appliance;
 - 2) The extension cord should be a grounding type 3-wire cord; and
 - 3) The longer cord should be arranged so that it will not drape over the counter top or table top where it can be pulled on by children or tripped over.
- Do not operate any appliance with a damaged lead or plug, or after the appliance malfunctions or has been damaged or dropped in any manner.
- In order to avoid hazard, if the power cord is damaged it must, for safety reasons, be replaced by Dualit or an authorised Dualit repairer, call Dualit's Customer Helpline on +44 (0) 1293 652 500.
- NOTE: any plug cut from the power supply cord should be disposed of immediately. Inserting any cut off plug into a 13A socket-outlet is hazardous.
- To be protected against electrical hazards, fire and injury to persons, do not immerse the mains lead, plug, power base or kettle in water or any other liquid.
- To disconnect, turn any control to off, then remove plug from wall outlet.
- Unplug the power base from the wall socket when not in use, or before moving and cleaning.

General safety

- NOTE: when you lift the kettle from the base, you will see drops of moisture on the surface of the power base. This is the steam used to switch the kettle off automatically, which

then condenses and escapes through vents in the underside of the kettle. This is perfectly normal, and should not be cause for alarm or returning the kettle.

- Do not operate the kettle unless the water filter is correctly in position.
- Do not operate the kettle unless it contains at least 250ml of water and the floor of the kettle is covered.
- Do not fill via the spout.
- Do not use if dropped, cracked or damaged.
- Do not use the kettle for any purpose other than heating water. Otherwise, this may result in an injury caused by misuse.
- Do not place the kettle, power base or mains lead on or near any hot surface, hot hob, gas burner or in a heated oven.
- Ensure that the kettle is correctly positioned on the power base before switching on.
- Do not fill above the bottom of the 'max' mark on the water level indicator.
- Do not operate the kettle on an inclined plane.
- Do not use in bathroom or outdoors.
- Remove the kettle from its power base before filling or pouring.
- Ensure that the lid is fully closed before switching the kettle on, otherwise it may not properly switch off.
- Do not remove or open the lid while the water is boiling.
- Do not move the kettle while it is switched on.
- Use handles or knobs – do not touch hot surfaces.
- If the kettle is overfilled, boiling water may be ejected.
- **When boiling, hot steam will be emitted from the kettle. Scalding may occur if you are within 400mm of the spout.**
- Ensure that the kettle spout is pointing away from any electrical plug or socket.
- Scalding may occur if the lid is opened during the boiling cycle and the body of the kettle will get hot.
- Take care when pouring – pour slowly and do not over-tilt the kettle.
- Water will remain hot for a considerable time after boiling and can present a scald hazard. Keep the kettle, power base and the mains lead away from the edge of worktops and out of the reach of children.
- Avoid spillage on the connector.
- Use the kettle only with the power base supplied and vice versa.
- The use of accessory attachments not recommended by Dualit may result in fire, electric shock or injury to persons.
- This kettle features boil-dry protection. If the kettle is accidentally switched on without water, the boil-dry device will switch off the heating element to prevent damage to the kettle. Wait approximately 10 minutes for the kettle to cool down, lift and refill as normal. The kettle is now ready to use again. NOTE: if discolouration of the heating plates has occurred, this can be easily removed by descaling your kettle.
- Allow the kettle to cool down completely before cleaning and storing.
- Do not store or use in an appliance garage or under cupboards.
- CAUTION: to prevent damage to the appliance, do not use alkaline cleaning agents. When cleaning, use a soft cloth and a mild detergent.
- **Do not boil the kettle if filled with descaling solution.**
- Do not use scouring pad or abrasive cleaner on the appliance body.
- Not suitable for commercial or continuous use.

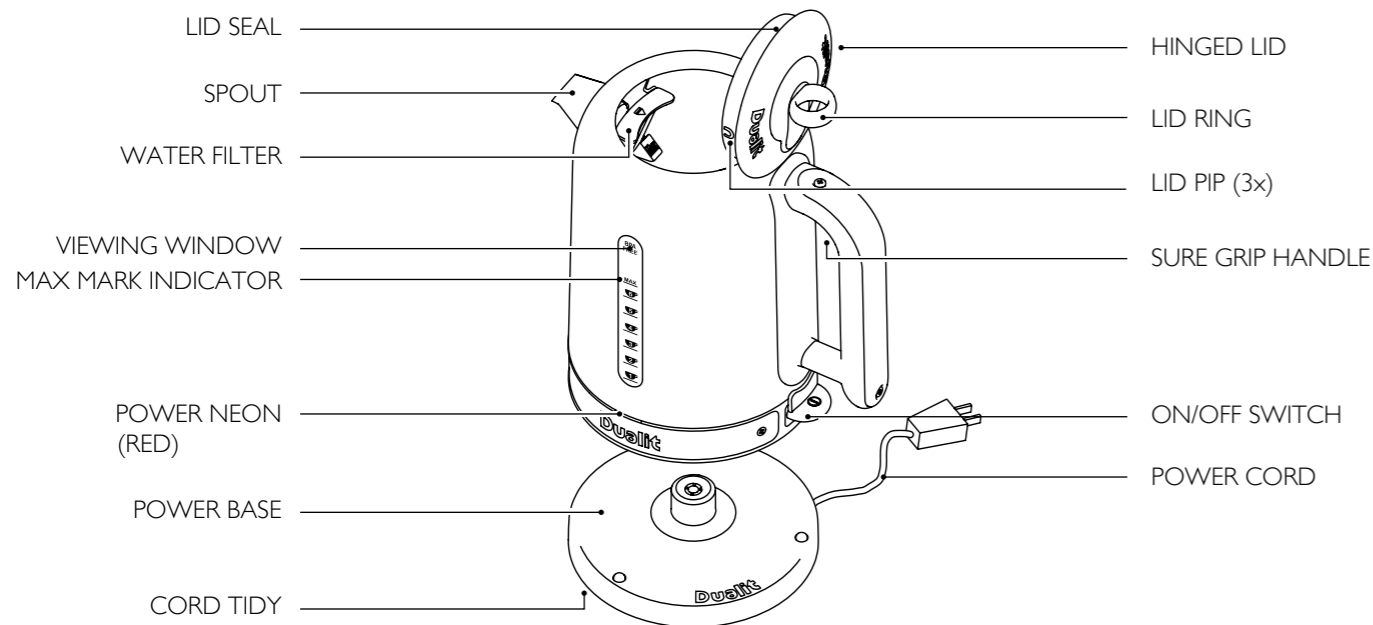
SAVE THESE INSTRUCTIONS

Unpack the box with care, keeping all the packaging materials until you are satisfied everything is present and in working order. Once satisfied remove any tags from the appliance body and recycle the packaging appropriately. Do not remove tags from the cord. You may wish to keep the box to store your appliance.

TROUBLESHOOTING GUIDE

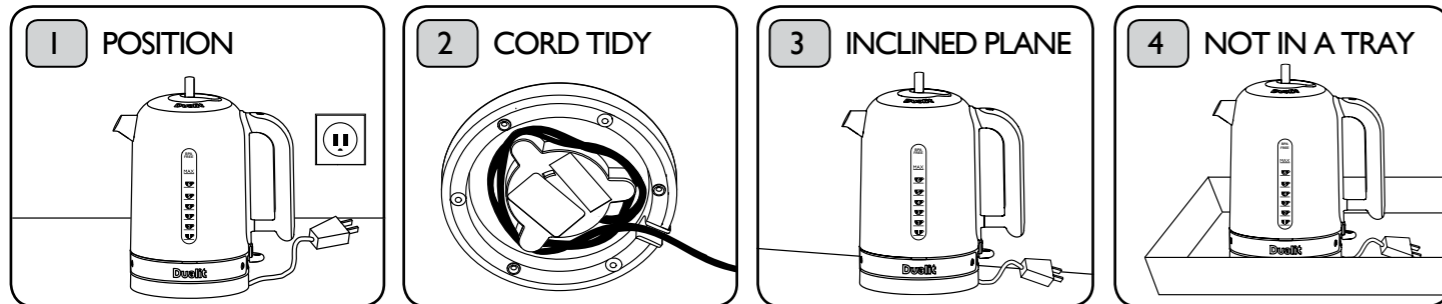
POSSIBLE CAUSE(S)	SOLUTION(S)
THE KETTLE DOES NOT TURN ON	
1. The kettle may not be properly connected to the power supply or the fuse may have failed.	1. Check the plug is in the socket and the switch is turned on. Replace the fuse if necessary.
2. Boil dry feature may have been activated. If the kettle is accidentally switched on with no water inside, the boil-dry device will switch off the heating element to prevent damage to the kettle.	2. Wait 10 minutes for the kettle to reset.
3. The element may have broken if the power neon illuminates but the kettle does not boil.	3. The element can be replaced. Call customer services on 01293 652500 for servicing information.
4. The kettle does boil but the power neon does not illuminate.	4. The power neon may have blown. Call customer services on 01293 652500 for servicing information.
THE KETTLE IS SPUTTERING OUT OF THE SPOUT	
1. You may have over filled the kettle.	1.1 Only fill to the max mark (1.7L). 1.2 Wait 10 seconds to allow the boiling water to settle before pouring.
2. The kettle may have descaling solutions remaining inside the body.	2. Follow the instructions from the cleaning & care section and rinse thoroughly.
3. The filter may not be in position.	3. Ensure the filter is in position. For spare filters call Dualit on 01293 652500.
MY KETTLE IS NOT SWITCHING OFF	
1. Limescale may have built up inside the kettle.	1. Descale your kettle regularly (see cleaning & care).
2. Check the lid is firmly closed during use.	2. Pips on inner lid rim can be pushed in to create a tighter fit.
3. Water may have gone down the steam tube whilst filling. You may have overfilled, tilted the kettle when filling or filled through the spout.	3. Leave the kettle for 24 hours to fully dry.
MARKS HAVE APPEARED IN THE KETTLE	
1. Small brown spots can build up inside the kettle. This is not rust, small deposits of scale which contain iron can build up inside the kettle.	1. Descale regularly (see cleaning & care).
THE KETTLE LEAKS FROM THE LID	
1. The lid seal may be damaged or have a build up of limescale.	1. Replace the seal. For spare seals call Dualit on 01293 652500.
WATER DROPLETS COLLECTS ON TOP THE POWER BASE	
1. This is condensation and perfectly normal.	1. Dry with non abrasive cloth.

KNOW YOUR CLASSIC JUG KETTLE



All illustrations are for representation only, your model may vary from illustrations shown. In the interest of improving products, Dualit Ltd. reserves the right to change the product specification without prior notice.

SETTING UP - REGISTER YOUR PRODUCT BEFORE FIRST USE



1 POSITION
Place the kettle as close to the wall socket as possible. When in use ensure the kettle is not placed under kitchen cabinets. **DO NOT STORE OR USE YOUR KETTLE IN AN APPLIANCE GARAGE OR UNDER CUPBOARDS.**

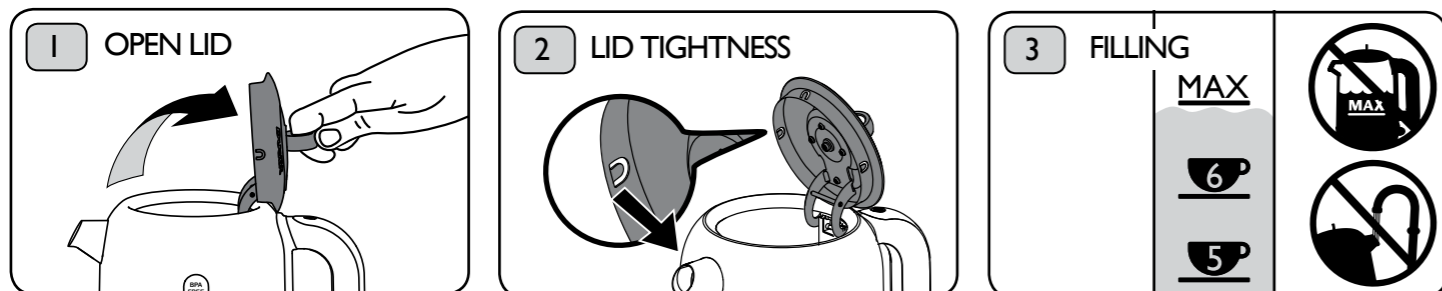
2 CORD TIDY
Use the shortest cord possible. Wrap excess cord round the cord tidy on the base of the kettle.

3 INCLINED PLANE
Do not operate on an inclined plane.

4 NOT IN A TRAY
Do not operate in a tray.

FILLING YOUR KETTLE

WARNING: IF THE KETTLE HAS JUST BOILED, IT WILL BE FULL OF STEAM, WHICH WILL ESCAPE AS SOON AS THE LID IS OPENED. THE LID WILL BE HOT. USE THE LID RING TO OPEN AND CLOSE THE LID.

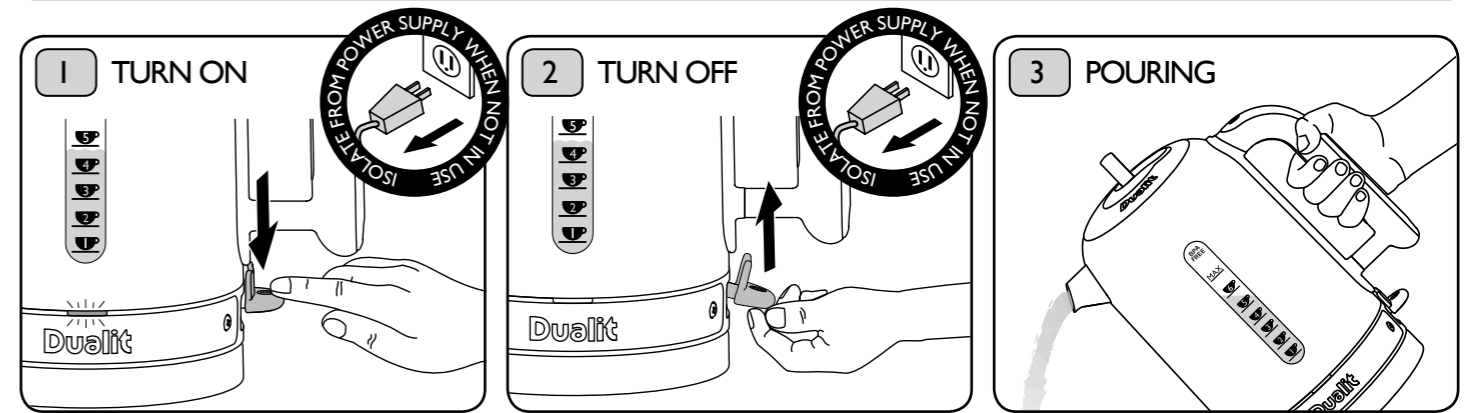


1 OPEN LID
Ensure the kettle is unplugged. Remove the kettle from the power base. Gently pull the lid ring up and back to open the lid.

2 LID TIGHTNESS
Tip: If the lid is too tight, try pushing in the pips on the inside of the lid with a spoon handle. Pushing the lid pips back out will give a tighter fit. **WARNING: IF THE LID IS TOO LOOSE, RISK OF SCALDING.**

3 FILLING
Fill the kettle through the lid opening. Use at least one cup of water (250ml). The water level must stay below the 'max' mark. Save energy, only boil what you require. Keep kettle upright and level at all times when filling. Do not tilt kettle backwards. **DO NOT OVERFILL OR FILL THROUGH THE SPOUT.** Push the lid down using the lid ring to close.

BOILING WATER

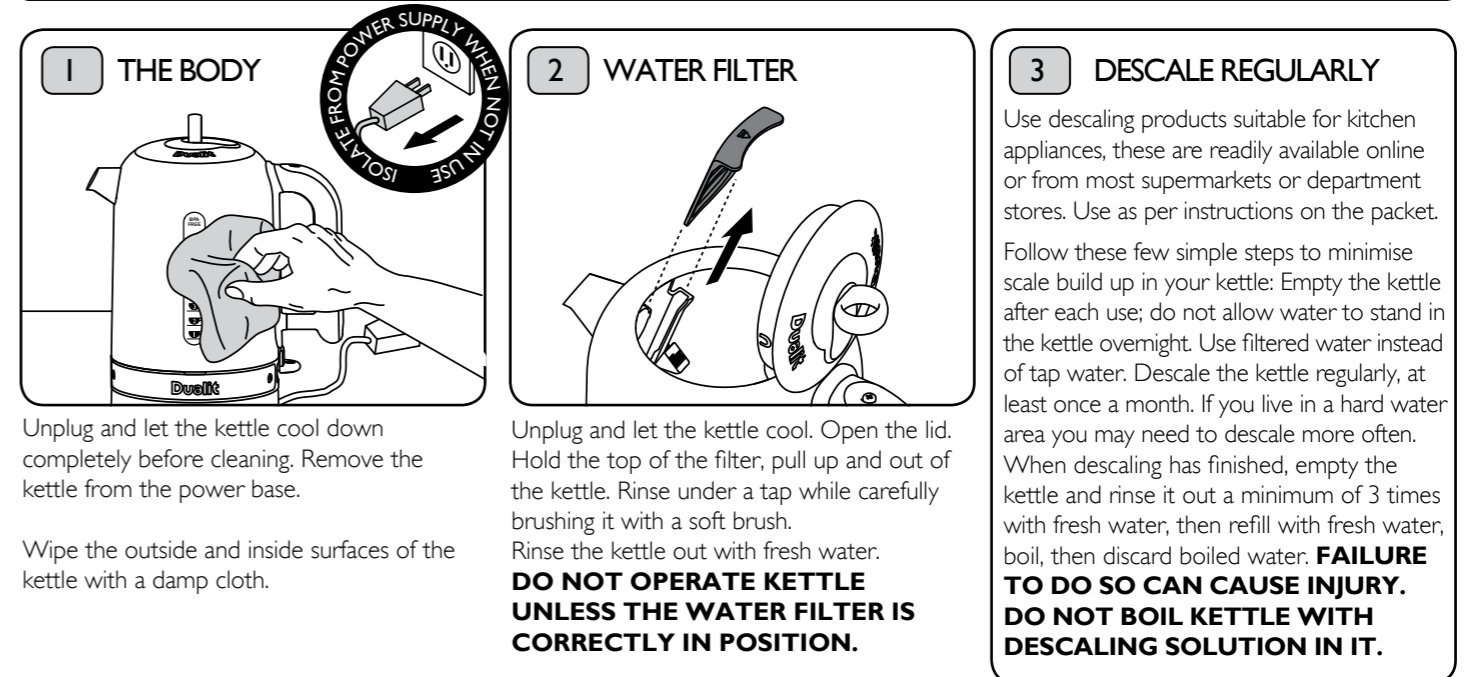


1 TURN ON
Plug the kettle into the power socket. Press the 'On/Off' switch down. The power neon will illuminate and the kettle will start to heat up. If the kettle is accidentally switched on with no water inside, the boil-dry device will switch off the heating element to prevent damage to the kettle.

2 TURN OFF
The kettle will automatically turn off after the water has boiled. To turn off before the water has boiled lift the 'On/Off' switch up. Always unplug the kettle after each use.

3 POURING
Remove kettle from the power base. To avoid the risk of splashing, once the kettle has boiled wait 10 seconds then pour slowly. Do not over-tilt the kettle.

CLEANING & CARE



1 THE BODY
Unplug and let the kettle cool down completely before cleaning. Remove the kettle from the power base. Wipe the outside and inside surfaces of the kettle with a damp cloth.

2 WATER FILTER
Unplug and let the kettle cool. Open the lid. Hold the top of the filter, pull up and out of the kettle. Rinse under a tap while carefully brushing it with a soft brush. Rinse the kettle out with fresh water. **DO NOT OPERATE KETTLE UNLESS THE WATER FILTER IS CORRECTLY IN POSITION.**

3 DESCALE REGULARLY
Use descaling products suitable for kitchen appliances, these are readily available online or from most supermarkets or department stores. Use as per instructions on the packet. Follow these few simple steps to minimise scale build up in your kettle: Empty the kettle after each use; do not allow water to stand in the kettle overnight. Use filtered water instead of tap water. Descal the kettle regularly, at least once a month. If you live in a hard water area you may need to descale more often. When descaling has finished, empty the kettle and rinse it out a minimum of 3 times with fresh water, then refill with fresh water, boil, then discard boiled water. **FAILURE TO DO SO CAN CAUSE INJURY. DO NOT BOIL KETTLE WITH DESCALING SOLUTION IN IT.**

KETTLE REPAIR

Core components of your kettle are replaceable!

The Classic Kettle has been built to last, but should you experience any fault with your kettle, please contact Dualit for advice. The Classic Kettle is repairable and fitted with a patented, repairable element. Simply contact our helpline on 01293 652 500 or visit www.dualit.com/support for repair or servicing advice.

All servicing must be carried out by Dualit or authorised repair agent.

For your own protection only use original Dualit spares in your kettle. Fitting of non Dualit parts will invalidate the guarantee.

